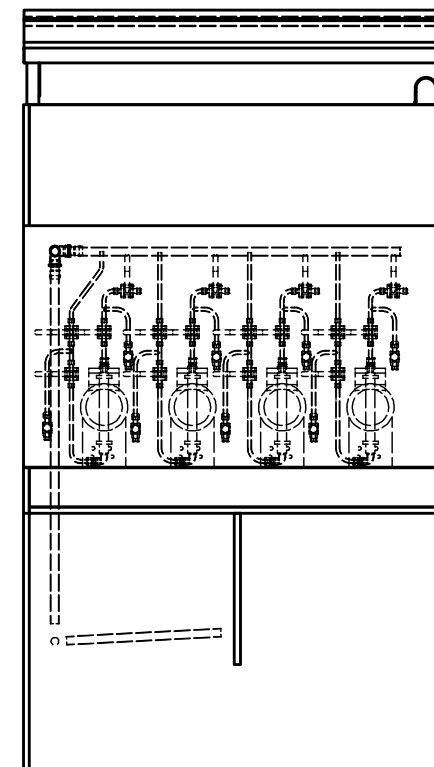
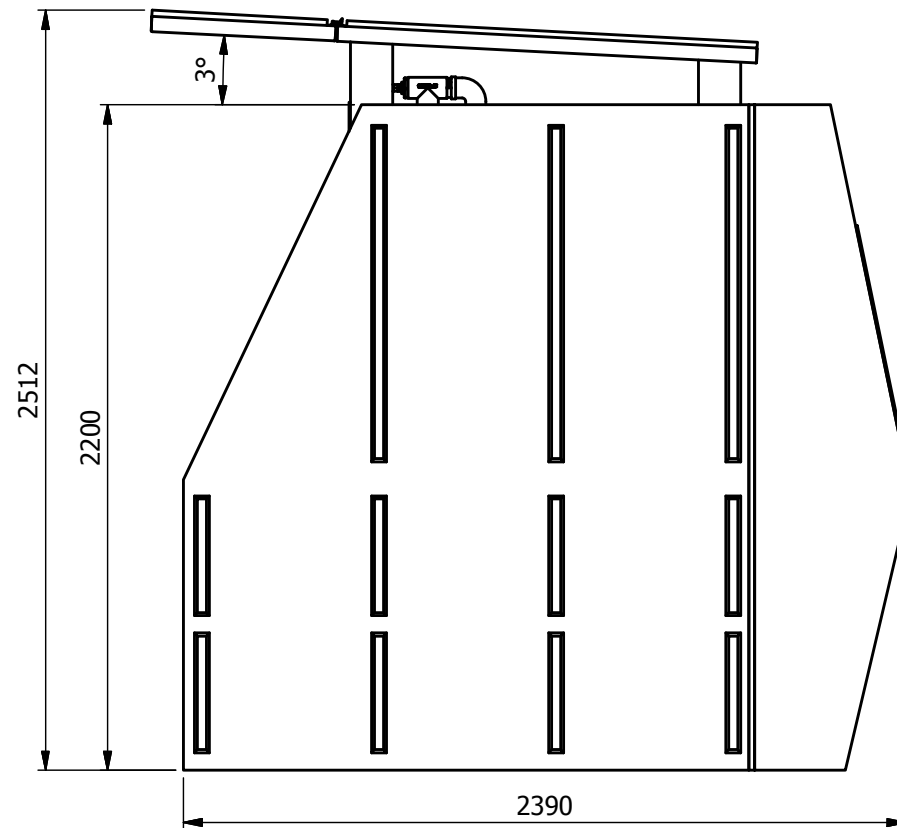
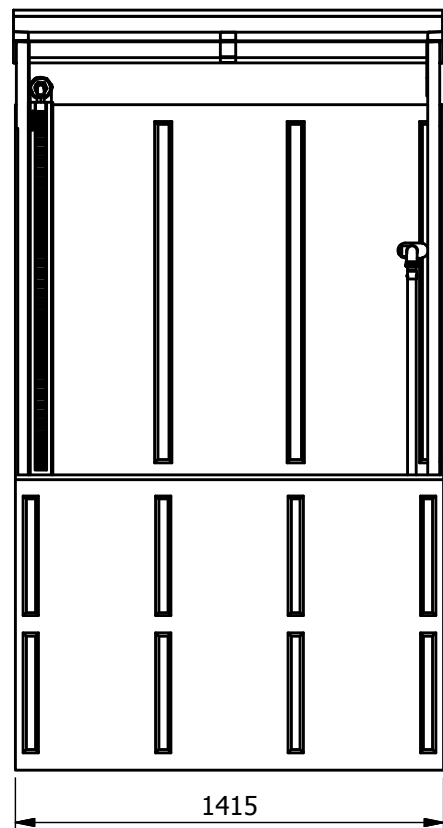


DETAIL C



A FIRST ISSUE		24-Aug-15		SCALE 1 : 25	DRAWING TITLE: IBC Chemical Dosing System (1000/1500 L) W/ REAR PUMP AND FLIP ROOF	
GENERAL MACHINING FINISH 1.6 UNLESS NOTED OTHERWISE		DATE REVISED		APPROVED	DRAWING NUMBER:	
GENERAL TOLERANCES 0.00 ± 0.1 mm 0.0 ± 0.2 mm 0 ± 0.5 mm 00 ± 1.0 mm 000 ± 2.0 mm 0000 ± 3.0 mm ANGLE DIMS. ± 0.5°		REVISED BY A		DRAWN EKO	811-0011	
THIS DRAWING REMAINS THE PROPERTY OF TRANSTAINER PTY. LTD. IT SHALL NOT BE DISCLOSED TO ANY THIRD PARTY, IN ANY MANNER WITHOUT THE WRITTEN PERMISSION OF TRANSTAINER PTY. LTD.		APPROX. MASS N/A		DATE: 24-Aug-15	TRANSTAINER PTY. LTD. 53 CHURCHILL RD NORTH, DRY CREEK SOUTH AUSTRALIA, 5094	
				PHONE 61 8 7324 0306 FAX 61 8 8121 5471 WEB www.transtainer.com.au		SHEET 1 OF 1